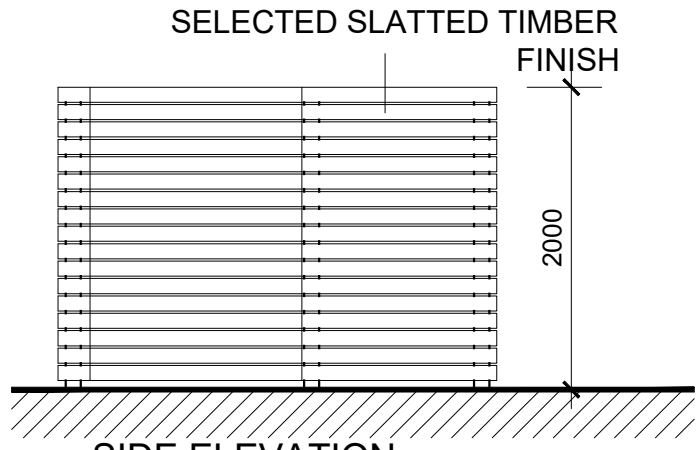


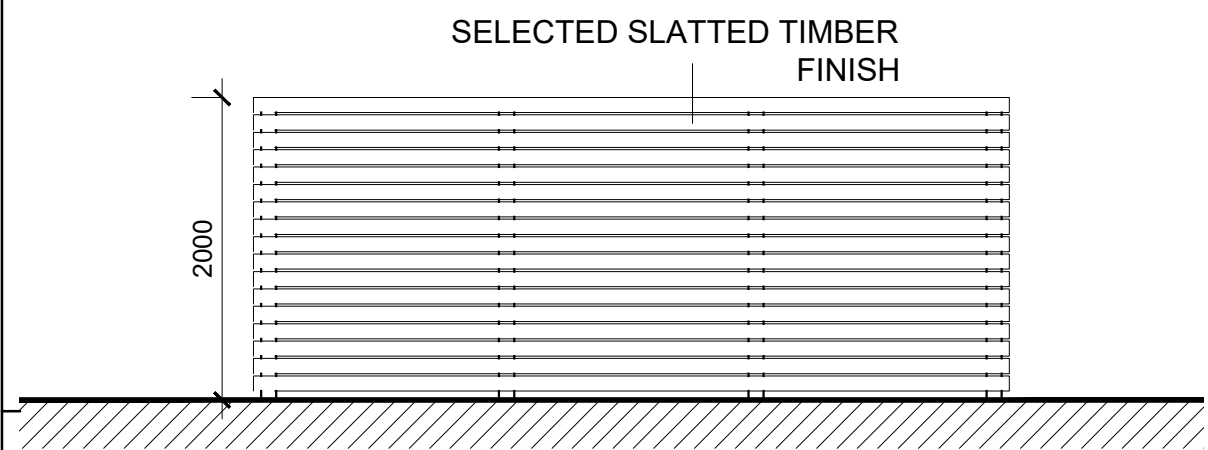
DO NOT SCALE. WORK TO FIGURED DIMENSIONS ONLY.
 ALL EXISTING DIMENSIONS TO BE CHECKED ON SITE.
 DRAWN ON AUTOCAD R2004 AT DEADY GAHAN ARCHITECTS LTD
 LAYERS ON THIS DRAWING COMPLY WITH BS 1192: PART 5



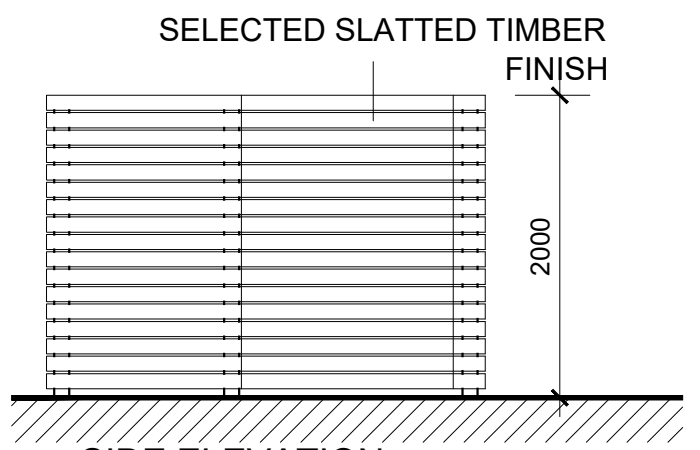
REAR ELEVATION
 Scale 1:50



SIDE ELEVATION
 Scale 1:50



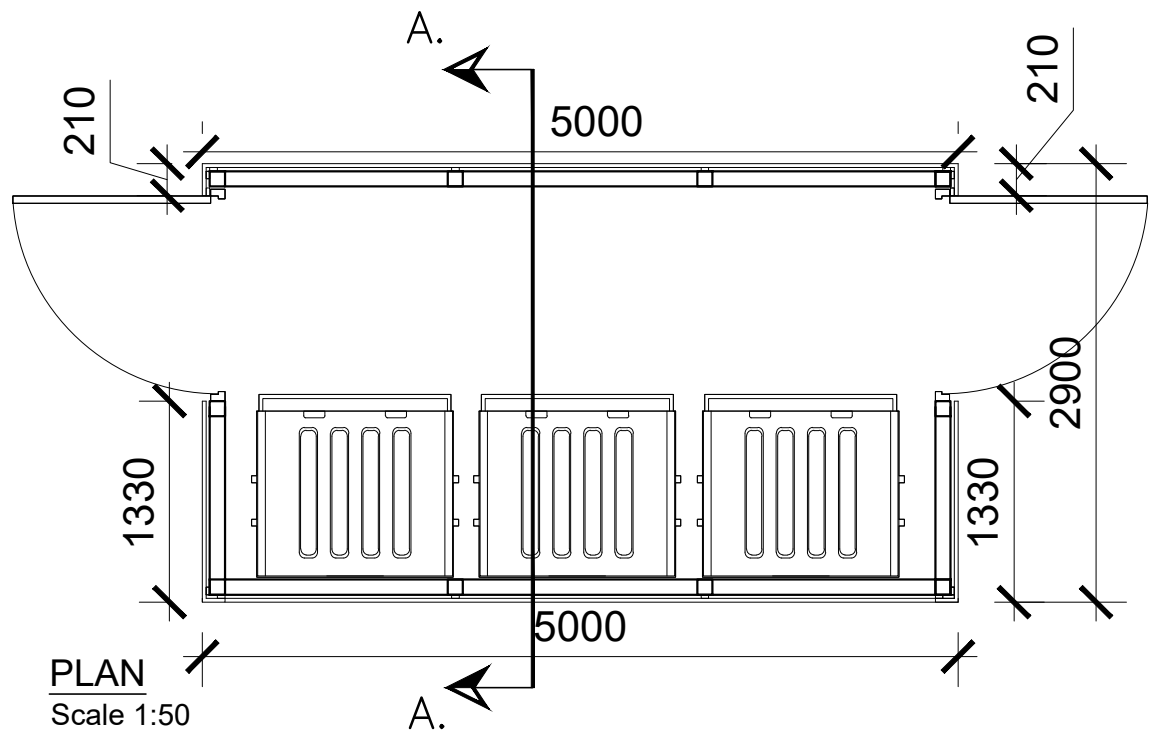
FRONT ELEVATION
 Scale 1:50



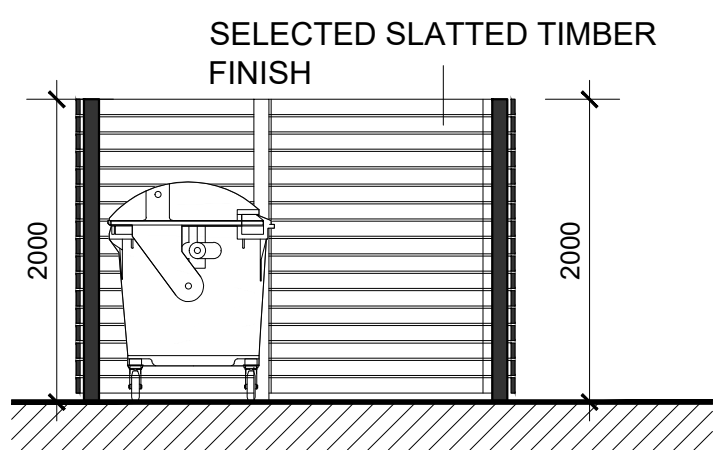
SIDE ELEVATION
 Scale 1:50



KEY PLAN (4no. BIN STORES)
 NTS @ A3



PLAN
 Scale 1:50



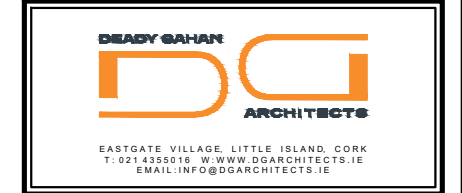
SECTION A-A
 Scale 1:50



BIN STORE
 SAMPLE IMAGE (SLATTED TIMBER FINISH)

PROPOSED BIN STORE
 SCALE 1:50 @ A3

date	rev	name	chk	note
13.10.21	P1	LM	EJG	ISSUE FOR PLANNING



Project
 PROPOSED MIXED-USE DEVELOPMENT
 IN CLOGHROE, TOWER, CO. CORK

Drawing title PROPOSED TYPICAL BIN STORE			
Scale 1:50 @A3	Drawn LM	Checked EJG	Date 14.12.20
Project No. 20068	Drig. No. 20068/PI011	Revision P1	
<input type="checkbox"/> Information \ Comments	<input type="checkbox"/> Tender	<input type="checkbox"/> Planning	<input type="checkbox"/> Construction